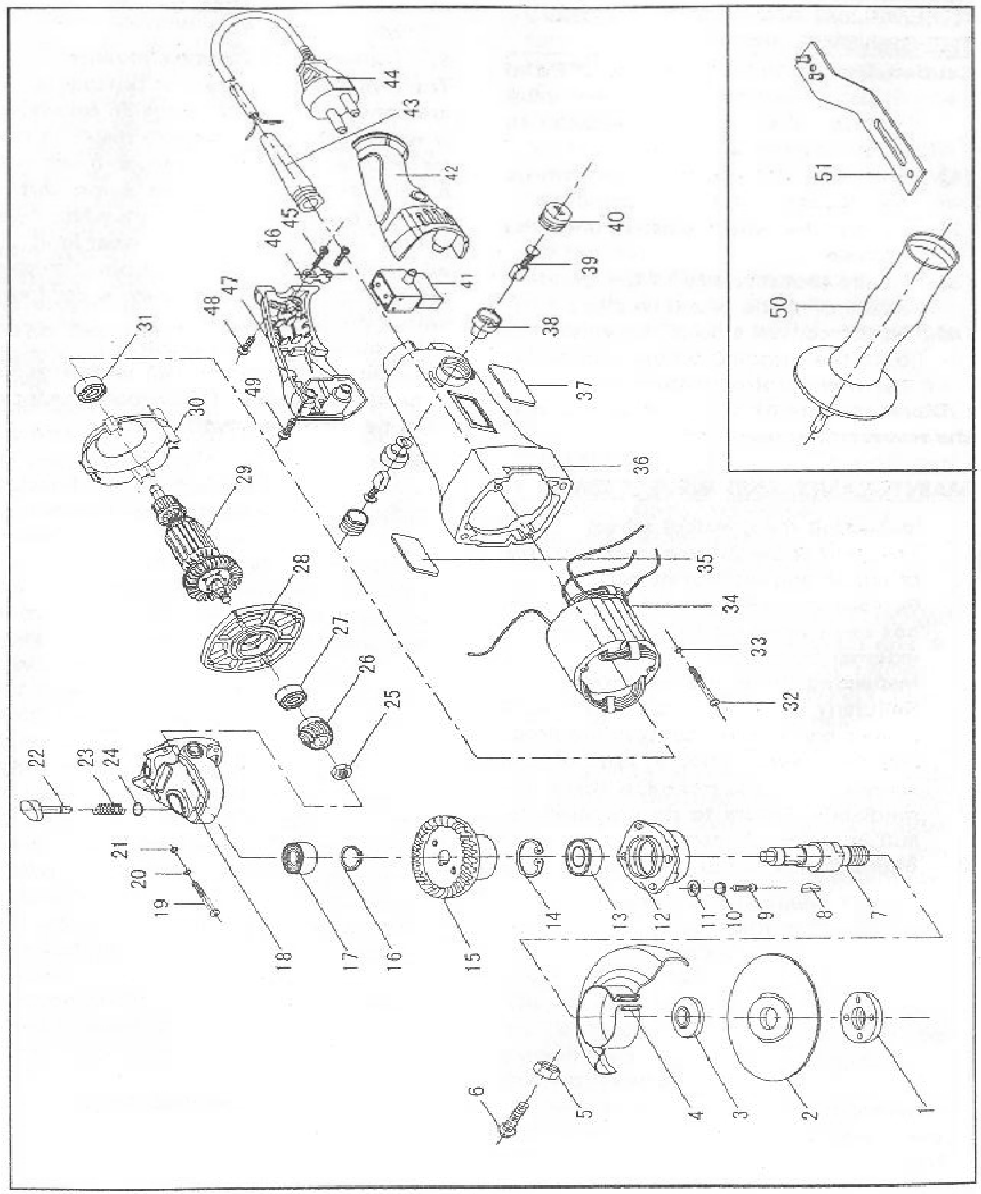


POWER TOOLS

PRO 1525 A - A ANGLE GRINDER

Packing	Power	Specifications	Mode
4	1200 W	125 MM.	COLOR BOX



PRO 1525A- ANGLE GRINDER

NO.	Name of Spare parts	NO.	Name of Spare parts
1	Out Flange	27	Ball bearing 6000
2	Grinding Wheel	28	Middle Cover
3	Inner Flange	29	Armature
4	Guard	30	Buffle Plate
5	Nut M5	31	Bail Bearing 627
6	Bolt M5 x 16	32	Screw ST3.9 x 60
7	OutPut Spindle	33	Spring Washer 4
8	Woodruff key 3 x13	34	Stator
9	Screw M4 x 14	35	name Plate
10	Spring Washer 4	36	Housing
11	Flat Washer 4	37	trademark
12	Gear box Cover	38	Brush Holder
13	Ball Bearing 6202	39	Carbon brush
14	Circlip For Hole 35	40	Brush Cap
15	Big Gear	41	Switch
16	Circlip for Shaft 12	42	Handle (left Half)
17	Ball Bearing 697	43	Cord Guard
18	Gear box Cover	44	Cord
19	Screw ST3.9 x 18	45	Screw ST3.9 x 14
20	Spring Washer 4	46	Strain relief
21	Flat Washer 4	47	Handle (Right Half)
22	Lock Pin	48	Screw 309 x 22
23	Spring forLock Pin	49	Screw 3.9 x 22
24	Circlip for shaft 5	50	Side Handle
25	Nut M8	51	Spanner
26	Small Gear		