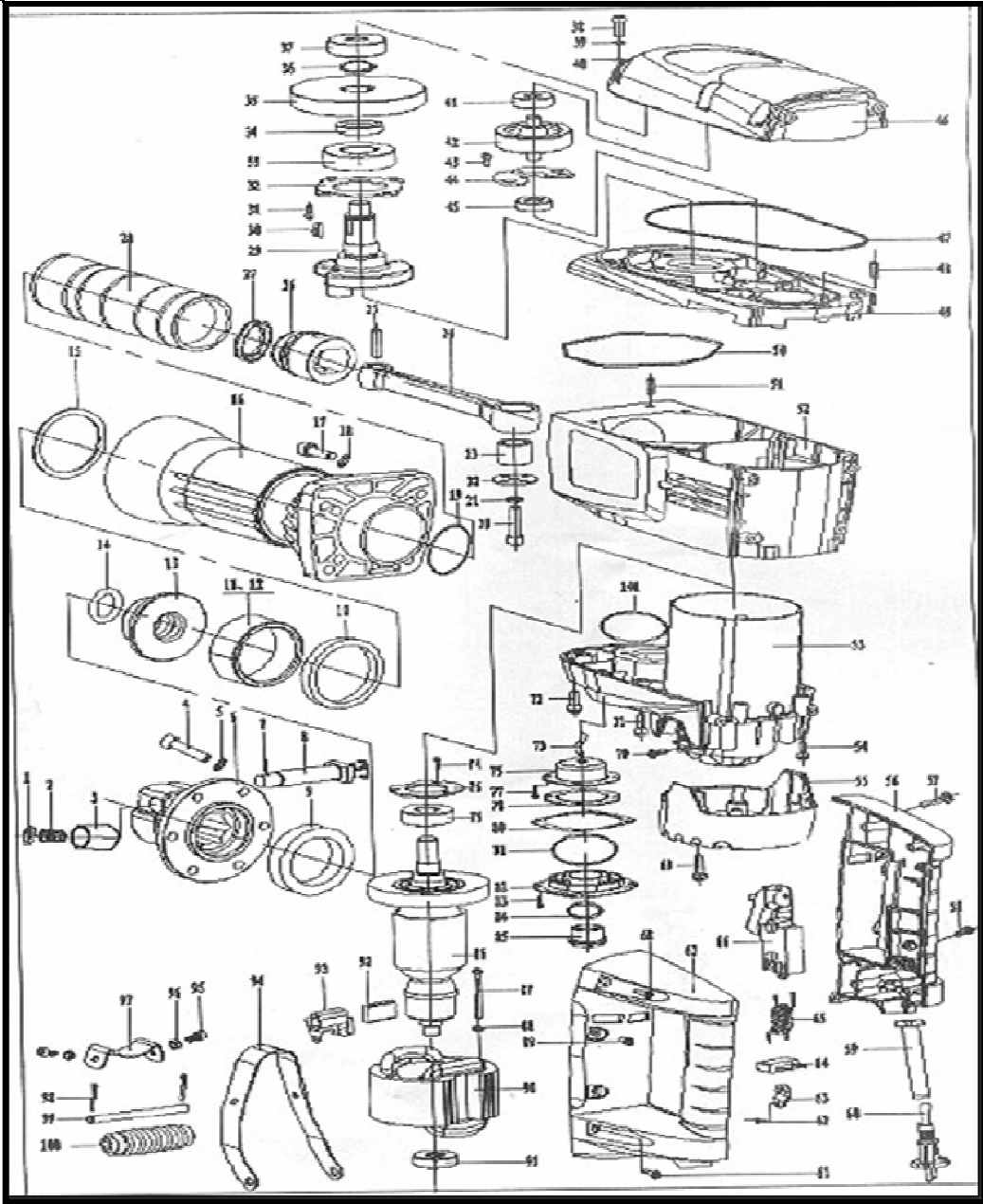


POWER TOOLS

PRO 2065 A - A DEMOLITION HAMMER

Packing	Power	Specifications	Mode
1	1600 W	50 MM	BMC



PRO 2065 A- DEMOLITATION HAMMER

NO.	Name of Spare parts	NO.	Name of Spare parts	NO.	Name of Spare parts
1	Damper (B)	41	Bearing 6201	81	O-Ring
2	Level Sring	42	Counter gear	82	oil guage
3	Spring Case	43	Seal Lock Hex Socket Bolt	83	O-Ring
4	Nylock Hex. Socket HD. Bolt	44	Bearing Cover	84	Oil Guage
5	Spring Washer M8	45	Bearing 6203	85	Rotor
6	Front Cover	46	Gear Cover	86	Nylock hex. Socket HD. Bolt
7	Needle Roller	47	Seal Ring	87	Spring Washer
8	Stop Lever	48	Pin	88	Hexagon Bar Wrench
9	Damper (B)	49	Inner Cover	89	Stator
10	Unrethane Ring	50	Seal Ring	90	Bearing 6201
11	Muth	51	Pin	91	Carbon Brush
12	Mouth Ring	52	Housing Ass'y	92	brush Holder
13	Shank Sleeve	53	Plastic Housing	93	Side Handle Ass'y
14	o-Ring	54	Nylock Hex. Socket HD. Bolt	94	Hexagon Bar Wrench
15	Washer	55	Tail Cover	95	U-nut M8
16	Cylinder Case	56	Right Handle	96	handle Stay
17	Nylock Hex. Socket HD. Bolt	57	Hexagon Bar Wrench	97	Split Pin
18	Spring Washer M8	58	Hexagon Bar Wrench	98	Handle pin
19	O-Ring	59	Cord Armor	99	Handle Shaft
20	Nylock Hex. Socket HD. Bolt	60	Electric Wire	100	Crip
21	Spring Washer M8	61	Hexagon Bar Wrech	101	O-Ring
22	Crank Washer	62	Hexagon Bar Wrech		CHESELS
23	Needle Bearing	63	Cord Clip		
24	Connecting Rod Ass'y	64	Capacitance		
25	Piston Pin	65	Inductance		
26	Piston	66	Switch		
27	L-Ring	67	Left handle		
28	Striker	68	Hexagon Bar Wrench		
29	Crank Shaft Ass'y	69	Hexagon Bar Wrench		
30	Wood Ruff Key	70	Hexagon Bar Wrench		
31	Hexagon Bar Wrench	71	Nylock Hex. Socket HD. Bolt		
32	Bearing Cover	72	Nylock Hex. Socket HD. Bolt		
33	Distance Ring	73	Oil felt		
34		74	Hexagon Bar Wrench		
35	Final Gear	75	Felt Holder		
36	Distance Ring	76	Fan Guide		
37	Bearing 6302	77	Machine Screw		
38	Hexagon Bar Wrench	78	Holder Seal		
39	Spring Washer M6	79	Bearing 6203		
40	Washer m6	80	o-Ring		